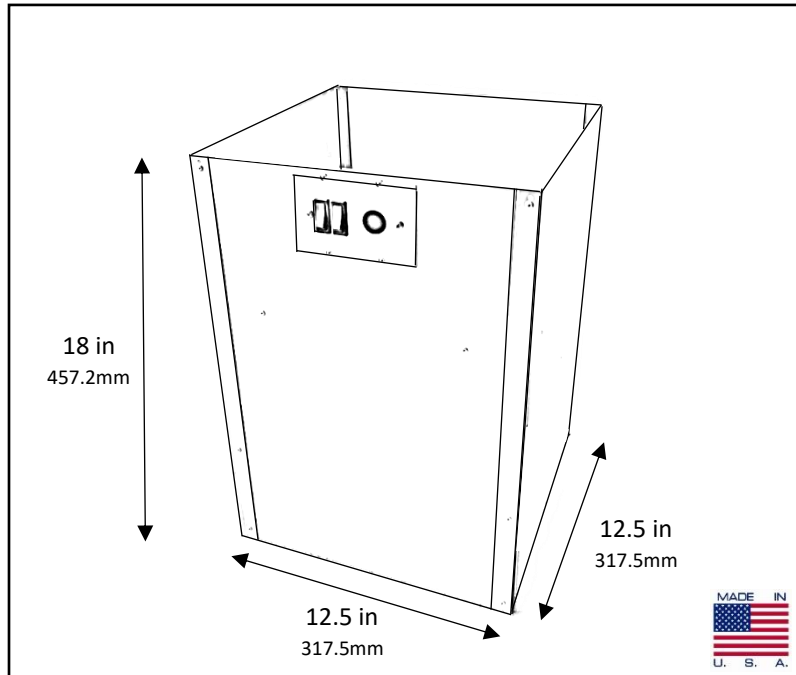


FAN MODEL	F-18 SQUARE
SIZE	12" x 12" x 18"
WEIGHT	7 lbs.
dBa LEVEL	59 (10 Feet)
MAX HEIGHT	40 ft.
CFM	623
RPM	1500/1000
VOLTS	110/120
WATTS	23/7
AMPS	0.35
HZ	50/60



Destratification Description –

The Air-Row F-18 is a patented destratification fan for open ceilings. This fan is designed to eliminate stratified air layers from ceiling to floor and help deliver up to 30% energy savings.

Motor Specifications - 92% efficient EC (Electronically Commentated) motor. Built-in thermal overload protector. Dual customizable speed levels with standard soft start feature. Ultra-reliable PA plastic fan blade material. Degree of protection – IP55.

Custom Housing - Durable and high quality .040 aluminum. Unique square design. Light weight 4.8 lbs. without EC motor. Housing unit is 100% recyclable and environmentally friendly.

Color Options - Polar White comes standard. Other options are endless. All products can be professionally matched to any specific color by a process called powder coating.

Certifications - Conforms to UL-507 for safety and electric fans. ETL listed in USA and Canada. Intertek 4004010. US Patented Product.

Warranty - Full 3-year parts and workmanship warranty for all products.

Features and Accessories:

(Additional costs apply for the following)

The F-18 can tie into BMS (BAS) by 0-10VDC wiring with an additional custom low voltage relay system.

Black or White UL listed 110V cord and plug. *(No 220V option).*

XSSC (Wall Control) 15-amp dual function fan controller for on/off and high/low speed capabilities.

Hanging Kits – Two 5’ safety cables with easy push button mechanisms by Gripple. Each cable is UL certified with a 33lb weight restriction and a 5:1 safety factor rating.

Blade Guard – Heavy duty plated steel powder coated black for balloon or ball control.

Tilt Bracket - .060 steel powder coated black. Multiple angle options with easy knob function. Can be mounted on ceilings or walls for specific air targeting.